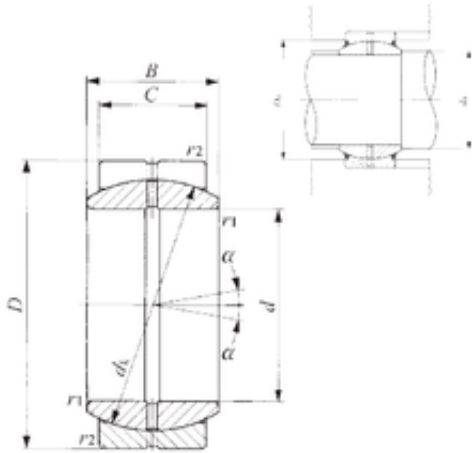




France Import Bearing Co., Ltd.

120 mm x 180 mm x 85 mm IKO GE 120ES plain bearings



Bearing No. GE 120ES

Size	120x180x85 mm
Bore Diameter	120 mm
Outer Diameter	180 mm
Width	85 mm
d	120 mm
D	180 mm
B	85 mm
C	70 mm
dk	160 mm
r1 min.	1 mm
r2 min.	1 mm
da min.	125,5 mm
da max	135,5 mm
Da min	174,5 mm
Da max.	154 mm
Angle	6 °
Weight	8,12 Kg
Basic dynamic load rating (C)	1100 kN

GE 120ES Bearing 2D drawings and 3D CAD models