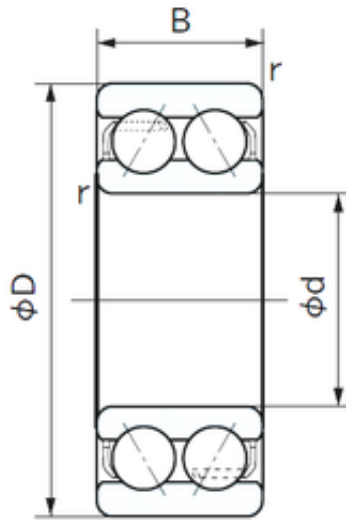




France Import Bearing Co., Ltd.



60 mm x 110 mm x 36.5 mm NACHI 5212 angular contact ball bearings

Bearing No. 5212

5212 Bearing 2D drawings and 3D CAD models

Size	60x110x36.5 mm
Bore Diameter	60 mm
Outer Diameter	110 mm
Width	36.5 mm
d	60 mm
D	110 mm
B	36.5 mm
C	36.5 mm
Angle (°)	30 °
r min.	1.5 mm
Weight	1.36 Kg
Basic dynamic load rating (C)	76 kN
Basic static load rating (C0)	62 kN
(Grease) Lubrication Speed	4300 r/min
Category	Angular Contact Ball Bearings
Inventory	0.0
Manufacturer Name	NACHI
Minimum Buy Quantity	N/A
Weight / Kilogram	1.362
Product Group	B00152
Enclosure	Open
Flush Ground	No
Rolling Element	Ball Bearing
Number of Rows of Balls	Double Row



France Import Bearing Co., Ltd.

Precision Class	ABEC 1 ISO P0
Maximum Capacity / Filling Slot	No
Snap Ring	No
Cage Material	Steel
Contact Angle	20 Degree
Internal Clearance	C0-Medium
Number of Bearings	1 (Single)
Inch - Metric	Metric
Long Description	60MM Bore; 110MM Outside Diameter; 36.5MM Width; Open; No Flush Ground; Ball Bearing; Double Row of Balls; ABEC 1 ISO P0; No Filling Slot; No Snap Ring
Category	Angular Contact Ball Bearing
UNSPSC	31171531
Harmonized Tariff Code	8482.10.50.28
Noun	Bearing
Keyword String	Angular Contact
Manufacturer URL	http://www.nachi.com
Manufacturer Item Number	5212 BNLS
Weight / LBS	3
Outside Diameter	4.331 Inch 110 Millimeter
Bore	2.362 Inch 60 Millimeter
Width	1.437 Inch 36.5 Millimeter
Configuration	Double Row
Bore Type	Cylindrical Bore
Bore Size	60 mm
Fillet Radius/Chamfer	1.5 mm
Dynamic Load Rating	76,000 N
Static Load Rating	62,000 N
Limiting Speed - Grease	4,300 rpm



France Import Bearing Co., Ltd.

Limiting Speed - Oil	5,600 rpm
Radial Clearance	0.008 to 0.028 mm
da	69 mm101 mm
Dx	118 mm
ra	1.5 mm
Cy	5.4 mm